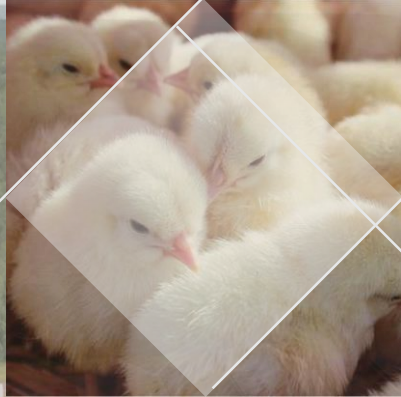


Supplying Drive solutions for intensive livestock farming



Company profile



Founded 1999

24 years in Modern Agriculture



40,000m²

One modern production facility in Beijing



100,000 pieces

Annual production capacity of Drive units



60 countries

Drive and solutions in more than 60 countries



3 R&D centers

We have 3 R&D centers



260+ employees

We have 260+ employees

Our Livestock Solutions



Feeding line hoisting



Guillotine ventilation

Air inlet ventilation



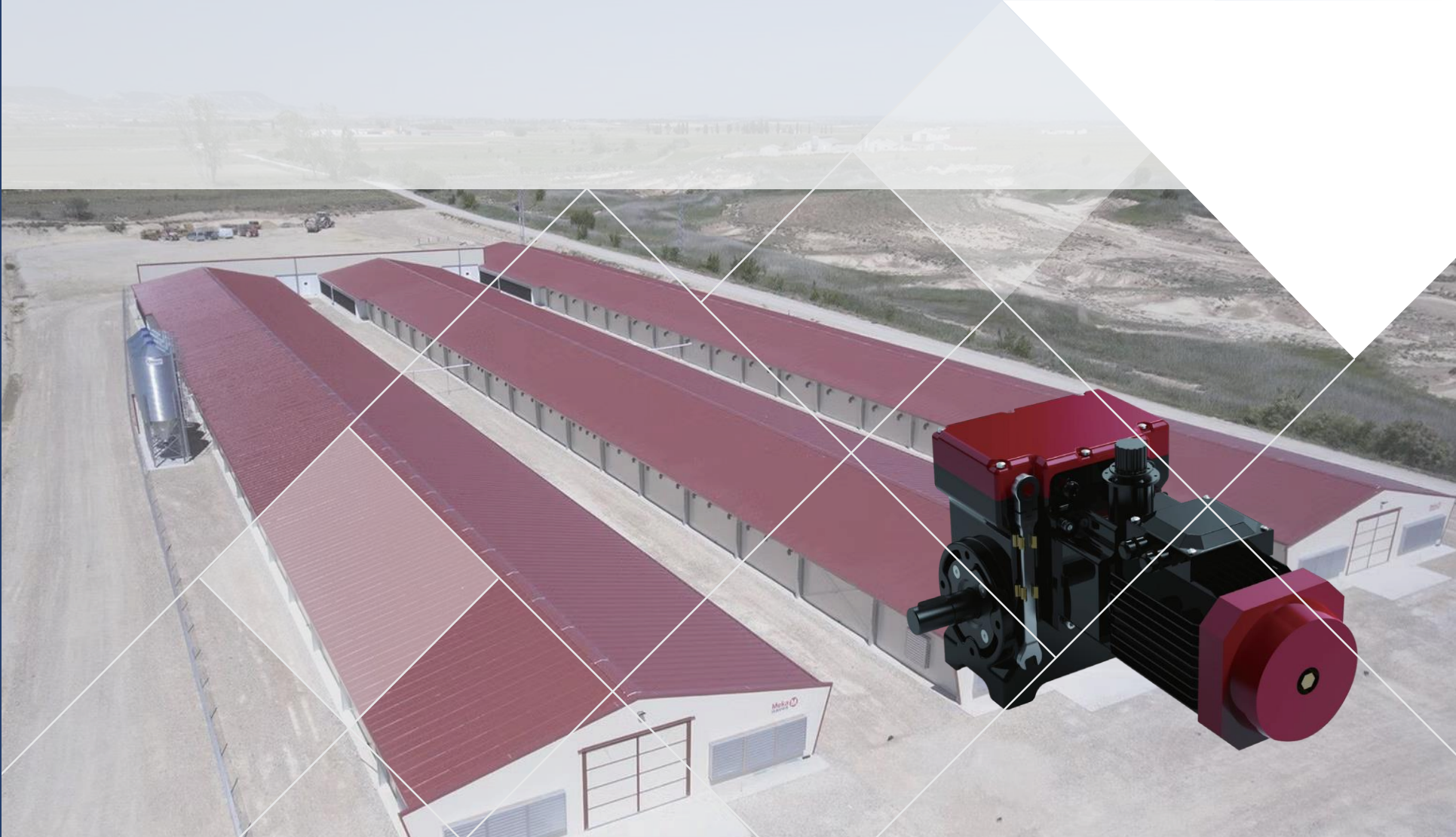
Tunnel door ventilation



Curtain ventilation



Nest expel

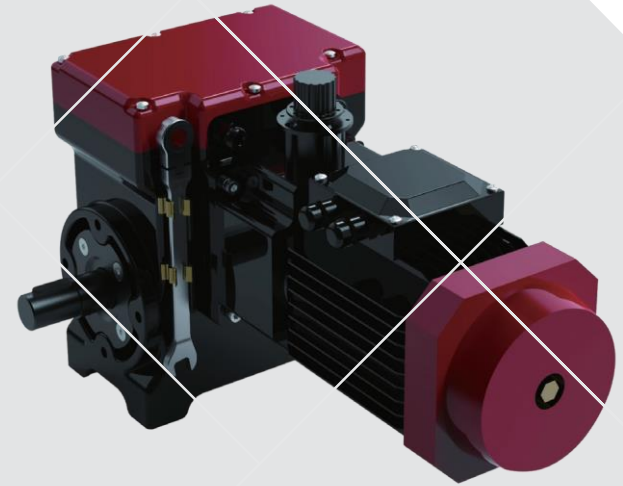


Motor Gearbox

Supplying Drive solutions for
intensive livestock farming

3GG[®] Motor Gearbox

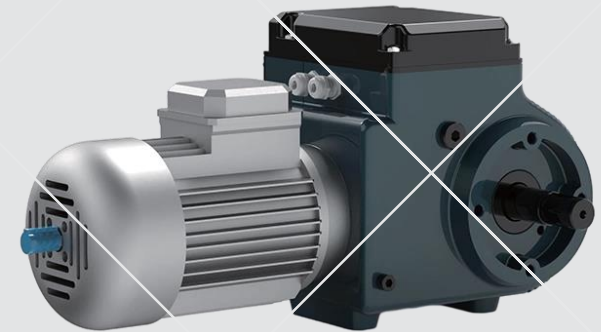
- Torque: 400-1200N·m
- Power: 550-1500W
- RPM: 1.3/2.6/5.2rpm
- Protection rating: IP55
- Voltage: AC220 / AC380V
- PT sensor (0-10V) /manual release available
- Excellent self locking performance
- Overloading/phase lost protection
- Accessories: Coupling, Belt drum, cable drum, cable wheel



**Supplying Drive solutions for
intensive livestock farming**

KINGZO® Motor Gearbox

- Torque: 400-800N·m
- Power: 550-750W
- Voltage: AC380V
- RPM: 1.3/2.6/5.2rpm
- Protection rating: IP55
- Excellent self locking performance
- Overloading/phase lost protection
- Accessories: Coupling, Belt drum, cable drum, cable wheel



**Supplying Drive solutions for
intensive livestock farming**

KINGZO® Motor Gearbox

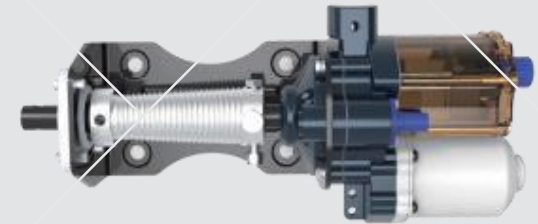
- Torque: 120-250N·m
- Power: 120-250W
- Voltage: AC220V / DC24V
- RPM: 2.8/3.5r/min
- Protection rating: IP55 / IP65
- PT sensor (0-10V) /manual release available
- Excellent self locking performance
- Overloading/phase lost protection
- Available with belt and drum or cable drum (single or double shaft)



**Supplying Drive solutions for
intensive livestock farming**

KINGZO® Planetary Motor Gearbox

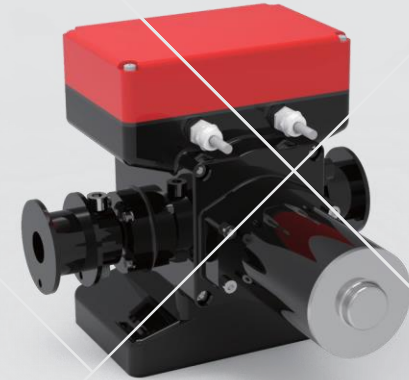
- Torque: 40-300N·m
- Power: 40-300W
- Voltage: AC220V / DC24V
- Protection rating: IP55
- PT sensor (0-10V) / manual release available
- Revolutions: 12 / 45 / 80
- Anti overloading
- Accessories: Coupling, Belt drum, cable drum



**Supplying Drive solutions for
intensive livestock farming**

3GG[®] Triple function Motor Gearbox

- Torque: 300N·m
- RPM: 1.3/2.6 r/min
- Duty class: S3, 35% max 25 minutes
- Voltage: AC220V / AC380V
- Protection rating: IP55
- PT sensor (0-10V)
- Revolutions: 6 / 20 / 40 / 80
- Anti overloading
- Accessories: Coupling, Belt drum, cable drum, cable wheel



**Supplying Drive solutions for
intensive livestock farming**

3GG[®] Tubular Motor

- Torque: 60N·m
- Power: 60W
- Voltage: AC220V
- RPM: 3 rpm
- Protection rating: IP55
- High quality and Maintenance free
- Continuous and smooth operation



**Supplying Drive solutions for
intensive livestock farming**



Ventilation Solutions

Supplying Drive solutions for
intensive livestock farming

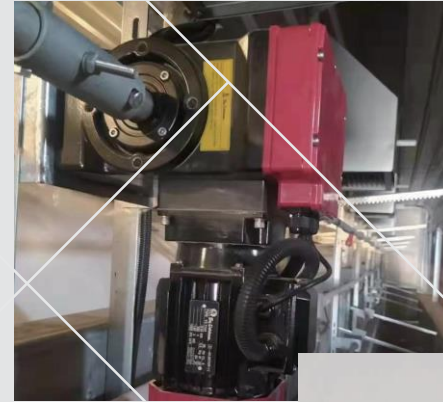
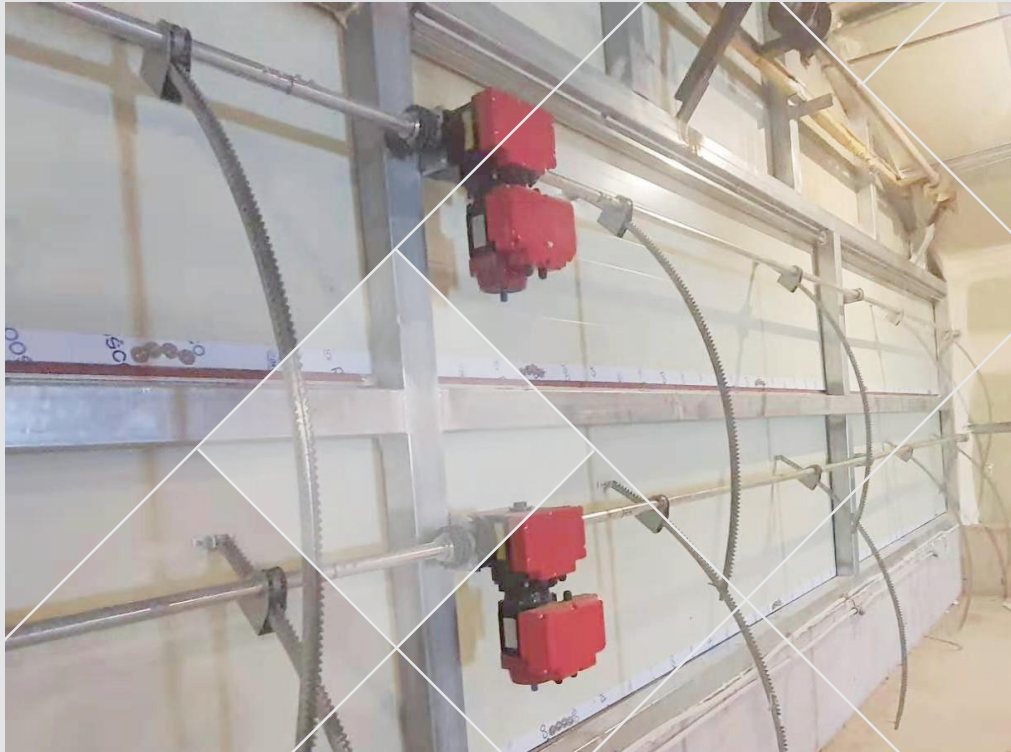
Ventilation Solutions



Air inlets

**Supplying Drive solutions for
intensive livestock farming**

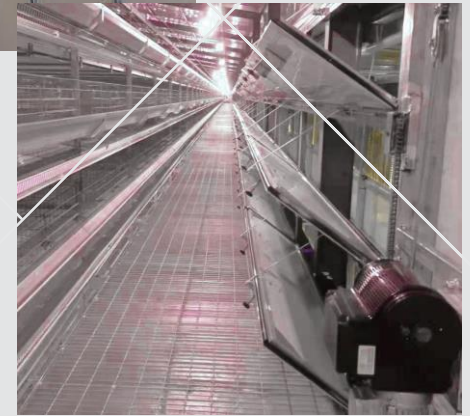
Ventilation Solutions



Tunnel door (RACK & PINION)

**Supplying Drive solutions for
intensive livestock farming**

Ventilation Solutions



Tunnel door (Cable driven)

**Supplying Drive solutions for
intensive livestock farming**

Ventilation Solutions



Guillotine

**Supplying Drive solutions for
intensive livestock farming**

Ventilation Solutions



Curtain (Dual shaft)

**Supplying Drive solutions for
intensive livestock farming**

Ventilation Solutions



Curtain (Single shaft)

**Supplying Drive solutions for
intensive livestock farming**

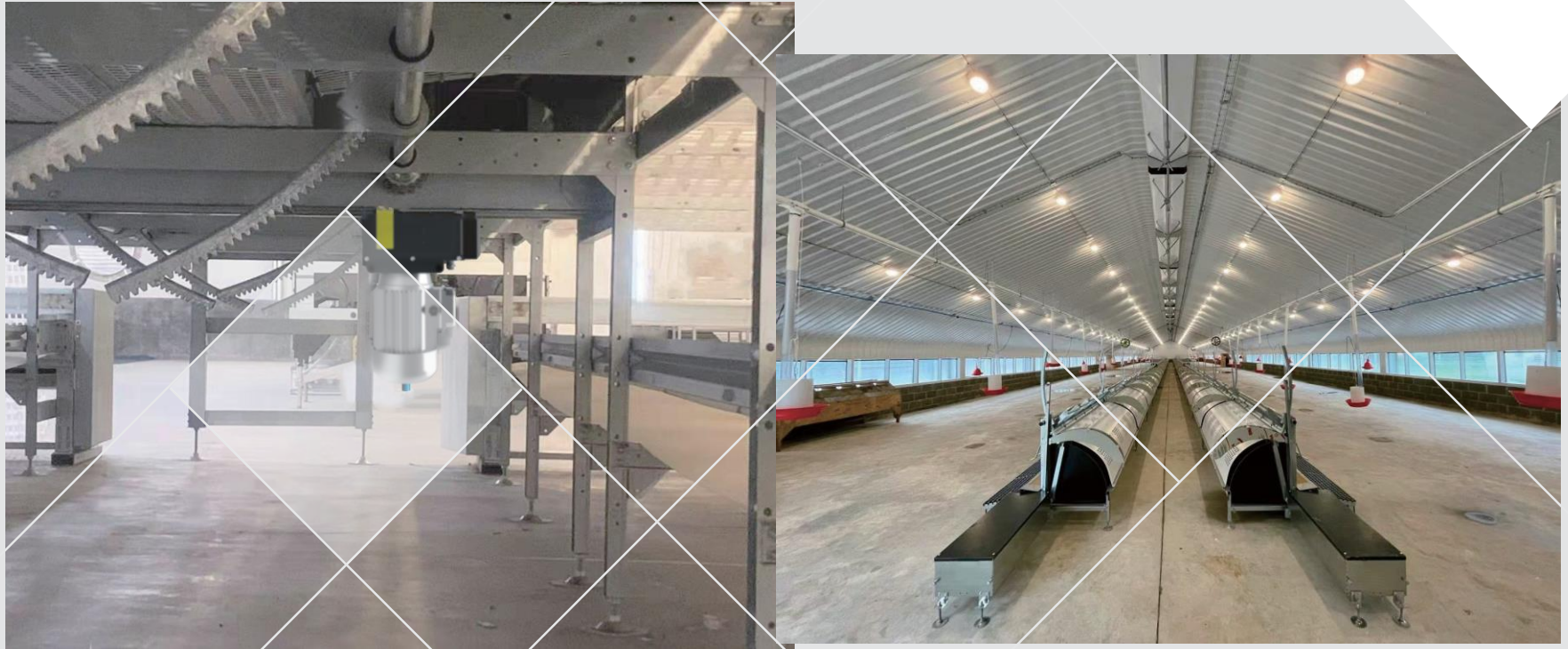
Hoisting



Feeding line hoisting

Supplying Drive solutions for intensive livestock farming

Nest Expel



Nest Expel

**Supplying Drive solutions for
intensive livestock farming**

Partner



Supplying Drive solutions for
intensive livestock farming